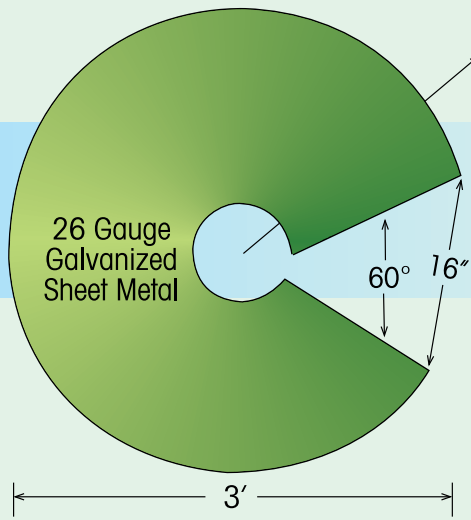


# Wood Duck Challenge

Calling all Youth! Get prizes & your picture in Outdoor News.

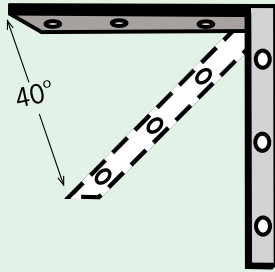
## CONE GUARD



**CUT HOLE:**  
 5 1/4" Diameter for 3"x4 1/2" Landscape Timber  
 4 1/2" Diameter for 3 1/2" Highway Pole  
 Cut out your own or purchase ready made  
 (See "Material Sources" in step-by-step directions)

## SUPPORT BRACKET

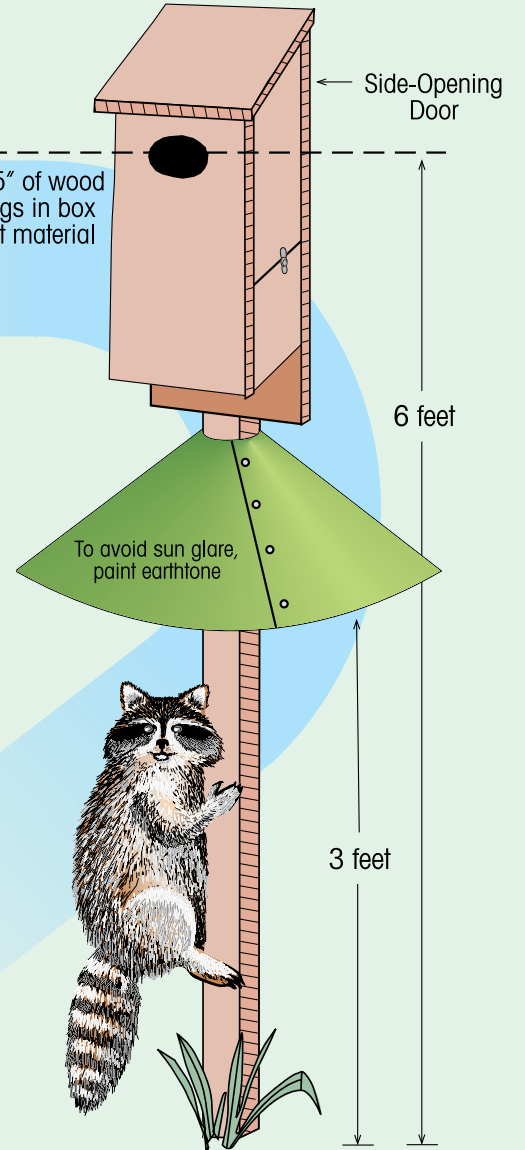
6" or 8" - Steel  
 Place in vise and bend right-angled arm down to 40° or purchase ready-made.  
 (See Material Sources)



Bolt two 40° angle brackets to pole, for supporting cone.

## Pole Options

1. Landscape Timber
2. Highway Stop-Sign Pole



## 2018 Wood Duck Challenge

For young people under the age of 18:

1. Build at least one wood duck nesting box according to an approved plan.
2. Install the box, preferably on a pole with a cone guard as diagrammed. Lip of cone should be at least 3 feet from ground. Trees are difficult to make predator-proof, but if you choose a tree, wrap a 3-foot strip of sheet metal below the box, 4 feet off the ground. Add another strip above the box if there is access from another tree. In time, gray squirrels are usually the first to beat the tree wraps.
3. Have a photo taken with you holding the box, or a photo of you with the installed nesting box in the background, and send it before May 15 to:

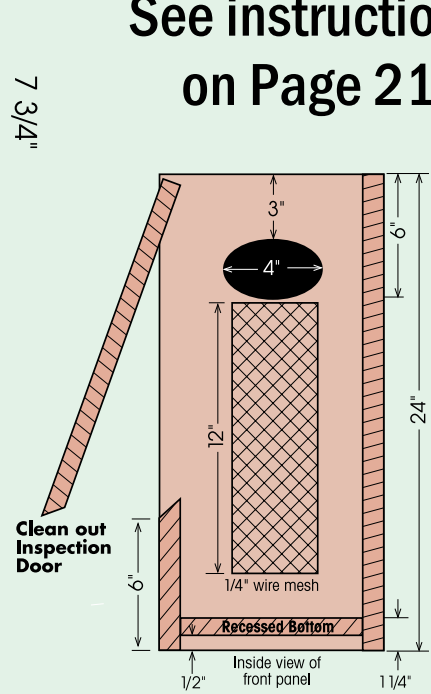
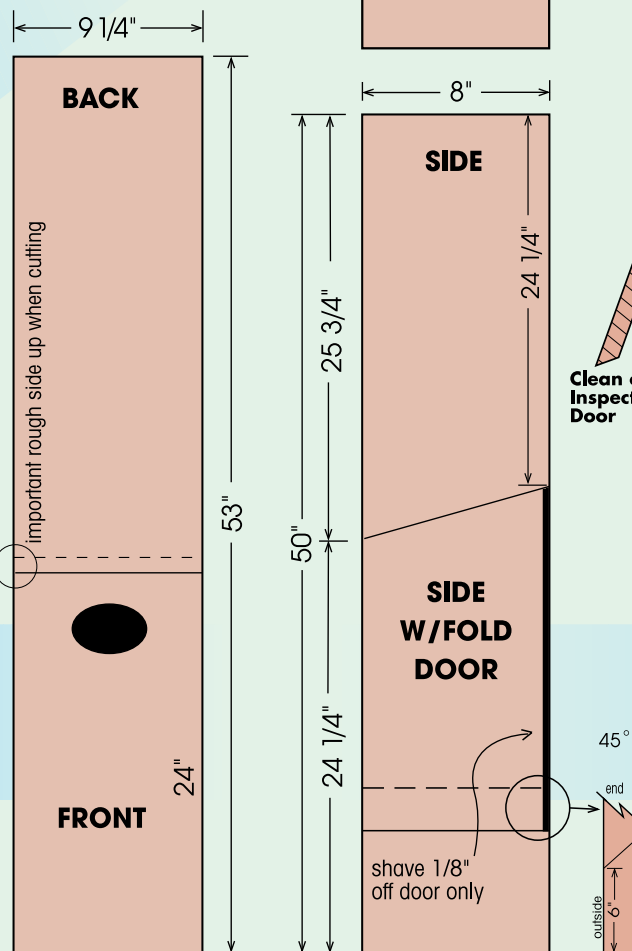
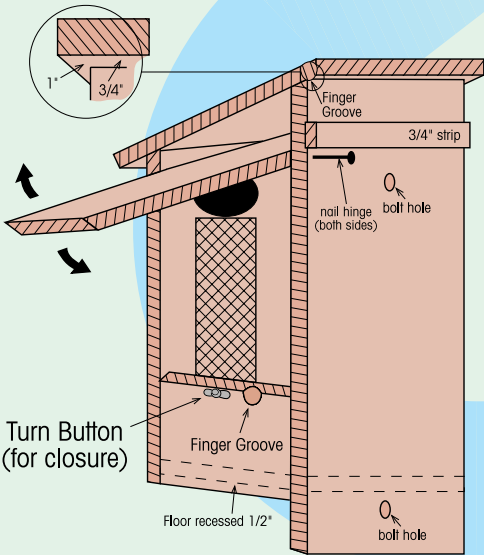
**Outdoor News**  
**Wood Duck Challenge**  
 9850 51st Ave. N., Suite 130,  
 Plymouth, MN 55442-3271

You can also submit photos online at [www.outdoornews.com/Wood-Duck-Challenge/](http://www.outdoornews.com/Wood-Duck-Challenge/)

Here's what you get:

1. Satisfaction for helping one of nature's beautiful creatures.
2. An iron-on 2018 Wood Duck Challenge patch.
3. A one-year Woodie membership to the Minnesota Waterfowl Association which includes a membership card, MWA logo decal and a waterfowl ID poster.
4. Your photo published in *Outdoor News*.

See instructions on Page 21



Remember these important dates:

- Wood duck migration north March-April
- Nesting May-July

All lumber 3/4" grade cedar, rough one side.  
 Rough side out on completed house.

In Partnership with

